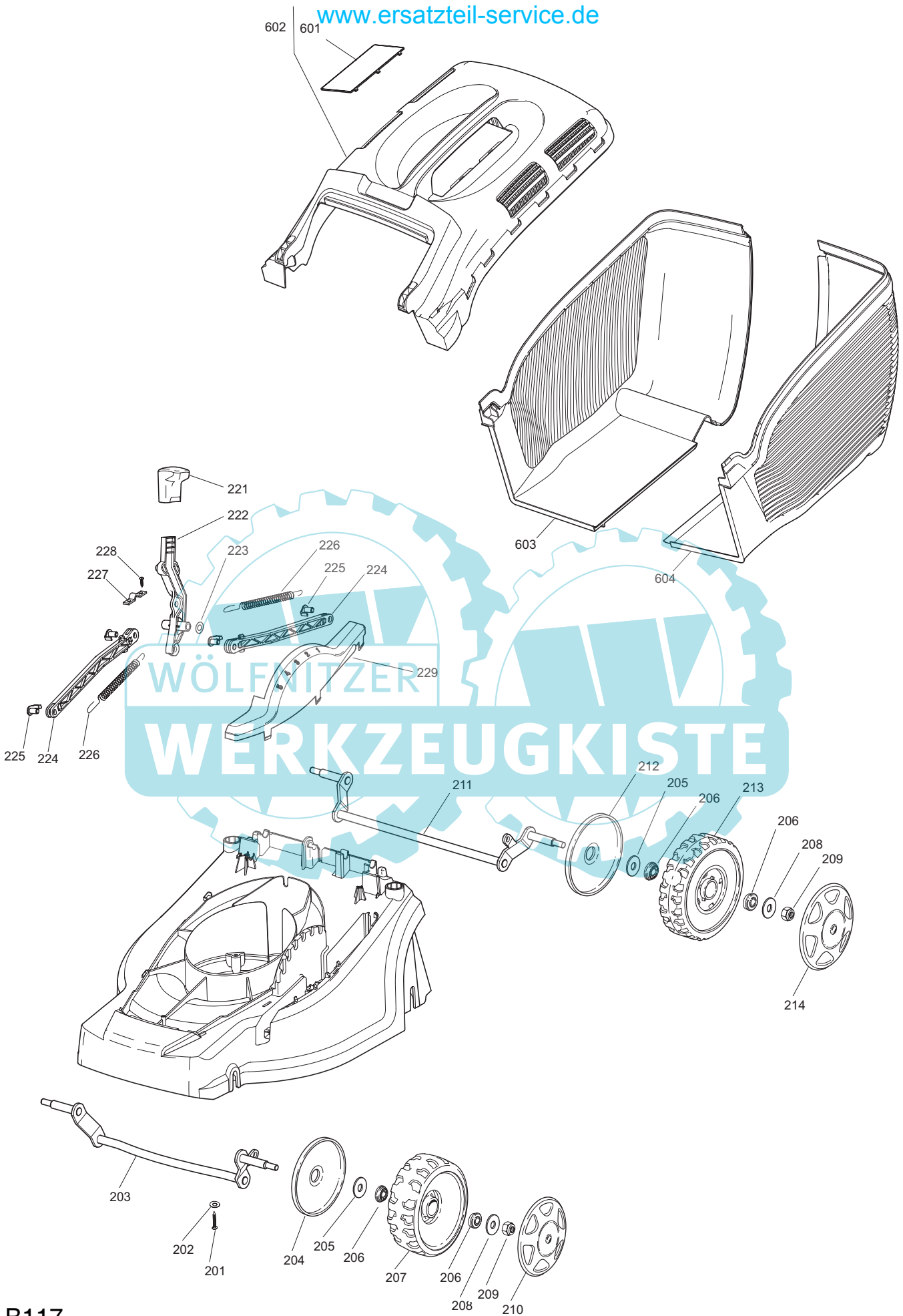


B116



Ausgabe Issue 2006- 1		Bild Nr Picture No B116		VARIOLUX 41E CHASSIE HOLM		VARIOLUX 41E CHASSIS HANDLE		Seite Page 22	
Pos. Fig.	Anzahl/Quantity				Artikel Nr. Part No	Bezeichnung	Description	Satz Kit	Anmerkung Notes
X	1	1			1136-1992-01	Chassie- grau .....	Deck- grey .....		
	2	2			9836-9216-12	Schraube .....	Screw .....		
X	3	1			1136-2012-01	Platte .....	Plate .....		
X	4	1			1136-2004-01	Feder .....	Spring .....		
X	6	1			1136-2019-01	Klappe- rot .....	Stone guard- red .....		
	7	2			9847-8019-16	Schraube .....	Screw .....		
X	8	1			1136-2023-01	Holm- Unterteil .....	Handle- lower .....		
	9	2			9799-0831-02	Mutter .....	Nut .....		
	10	2			1136-1721-01	Schloßrad .....	Locking knob .....		
	11	2			1136-0309-01	Scheibe .....	Washer .....		
	12	2			1136-1738-01	Scheibe .....	Washer .....		
	13	2			1136-1755-01	Hebel .....	Handle lever .....		
X	14	2			1136-2024-01	Holm- Mittelteil .....	Handle- intermediate .....		
	15	2			1136-1745-01	Gummistopfen .....	Cap .....		
	16	2			1136-1709-01	Ringmutter .....	Ring nut .....		
	17	2			1136-1708-01	Griff .....	Knob .....		
X	18	1			1136-2025-01	Holm- Oberteil .....	Handle- upper .....		
X	19	1			1136-1999-01	Handgriff .....	Handgrip .....		
X	20	4			1136-1981-01	Schraube .....	Screw .....		
X	21	1			1136-2002-01	Holmdeckel- untere .....	Handle cover- lower .....		
X	22	1			1136-2001-01	Holmdeckel- obere .....	Handle cover- upper .....		
X	23	2			1136-1983-01	Schraube .....	Screw .....		
	24	1			1136-1769-01	Schalter .....	Dead hand switch .....		
	24	1			1136-1770-01	Schalter .....	Dead hand switch .....		die Schweiz
	25	1			1136-0662-01	Kabelbefestigung .....	Fairlead .....		
	26	2			1136-0660-01	Bowdenzughalter .....	Anchor clamp .....		
	30	2			9836-9225-12	Schraube .....	Screw .....		
	31	3			9836-9216-12	Schraube .....	Screw .....		
X	32	1			1136-1993-01	Deckel .....	Cover .....		
X	33	1			1136-1990-01	Motordeckel .....	Motor cover .....		
X	35	1			1136-2027-01	Schraubensatz .....	Screw outfit .....		
X	51	1			1136-1986-01	El. Motor .....	El. motor .....		
X	52	1			1136-1985-01	- Kondensator .....	- Condensator .....		18 µF
	53	4			9836-9635-12	Schraube .....	Screw .....		
	71	1			1136-0673-01	Halter/Gebälse .....	Hub/fan .....		
X	72	1			1111-9762-01	Messer .....	Blade .....		
	73	1			1136-0752-01	Messerbolzen .....	Blade bolt .....		



B117



Ausgabe Issue 2006- 1		Bild Nr Picture No B117		VARIOLUX 41E RADAUFHÄNGUNG GRASFANGKORB		VARIOLUX 41E WHEEL SUSPENSION GRASS BOX		Seite Page 24	
Pos. Fig.	Anzahl/Quantity				Artikel Nr. Part No	Bezeichnung	Description	Satz Kit	Anmerkung Notes
	201	4			9836-9525-12	Schraube .....	Screw .....		
	202	4			9699-0085-02	Scheibe .....	Flat washer .....		
X	203	1			1136-2020-01	Vorderachse .....	Front wheel axle .....		
	204	2			1117-1161-01	Radschutz .....	Wheel protection .....		
	205	4			9694-0003-00	Scheibe .....	Washer .....		
	206	8			1136-0655-01	Kugellager .....	Ball bearing .....		
X	207	2			1136-2014-01	Rad .....	Wheel .....		
	208	4			9699-0090-02	Scheibe .....	Flat washer .....		
	209	4			9747-0831-02	Mutter .....	Lock nut .....		
X	210	2			1136-1995-01	Radkappe .....	Hub cap .....		
X	211	1			1136-2021-01	Hinterachse .....	Rear wheel axle .....		
X	212	2			1136-2011-01	Radschutz .....	Wheel protection .....		
X	213	2			1136-2015-01	Rad .....	Wheel .....		
	214	2			1136-1702-01	Radkappe- grau .....	Hub cap- grey .....		
X	221	1			1136-2003-01	Knopfen .....	Knob .....		
X	222	1			1136-2000-01	Höhenverstellhebel .....	Height adjust lever .....		
X	223	1			1136-2013-01	Scheibe .....	Washer .....		
X	224	2			1136-2017-01	Stange .....	Tie rod .....		
X	225	4			1136-2010-01	Bolzen .....	Pin .....		
X	226	2			1136-2005-01	Feder .....	Spring .....		
	227	1			1136-0256-01	Bügel .....	Plate .....		
	228	2			9836-9216-12	Schraube .....	Screw .....		
X	229	1			1136-1994-01	Deckel- rot .....	Cover- red .....		
X	601	1			1136-2008-01	Platte .....	• Plate .....		
X	602	1			1136-2018-01	Grasfangkorb- Oberteil .....	Grass box- upper .....		
X	603	1			1136-2006-01	Graskorb- untere, r .....	Grass box- lower, RH .....		
X	604	1			1136-2007-01	Graskorb- untere, l .....	Grass box- lower, LH .....		

